

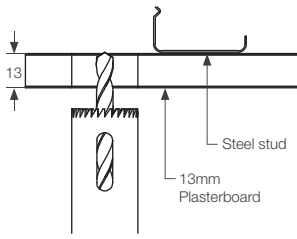
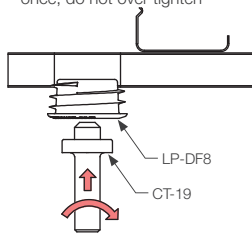
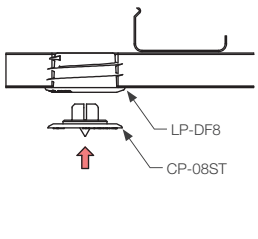
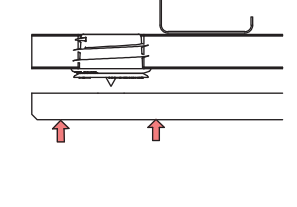
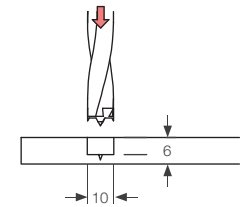
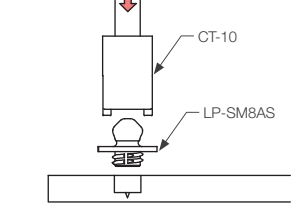
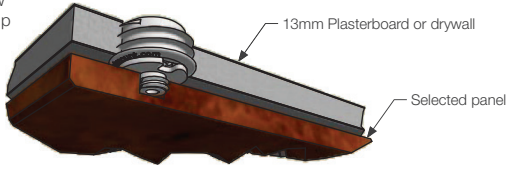


LP-DF8 Low Profile Drywall Self Tapping Coarse Thread Female

<p>LP-DF8</p> 	<p>USE WITH:</p> <p>LP-M8A  LP-SM8AS </p>	<p>INSTALL WITH:</p> <p>CP-08ST  CT-19  CT-09  CT-10 </p> <p>250 hole saw</p>
---	--	---

INSTALLATION STEPS

<p>1 Drill 25Ø hole in drywall plasterboard</p> 	<p>2 Screw LP-DF8 into drywall. Use battery drill with clutch set, fit once, do not over tighten</p> 	<p>3 Fit CP-08ST centre point into LP-DF8</p> 
<p>4 Press panel onto CP-08ST to mark</p> 	<p>5 Drill panel on mark with CT-09</p> 	<p>6 Screw fit LP-M8A with CT-10. use battery drill with clutch set.</p> 
<p>A Cutaway view of installed clip</p> 		<p>NB. CT-12 to CSK hole edge in hard material (1-2mm)</p> 